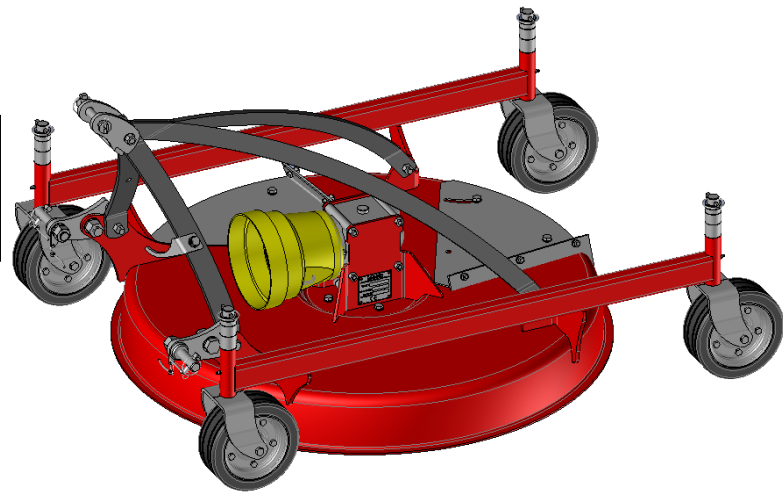


**MONO-BLADE MOWER 100 cm TAM100  
MICROTRACTOR 12 - 20 HP with  
power grip=540tr/min**

Working width 100cm  
Rotor with 2 blades  
Floating 3 points linkage cat.1  
Rear or side discharge  
Cutting height adjustable from 2.5 to 10.5cm  
Gearbox with freewheel  
Delivered with cardan shaft



**The advantages:**

**Alveolar monobloc deck of 4mm:** *Rigidité accrue, reduced weight, noise and vibrations limited, optimised ventilation for perfect ejection fluidity optimal*

**Floating coupling :** *articulated arm for perfect adaptation to ground*

**Intermediary bearing between housing and blade-holder:** *Plowers the efforts for the housing*

